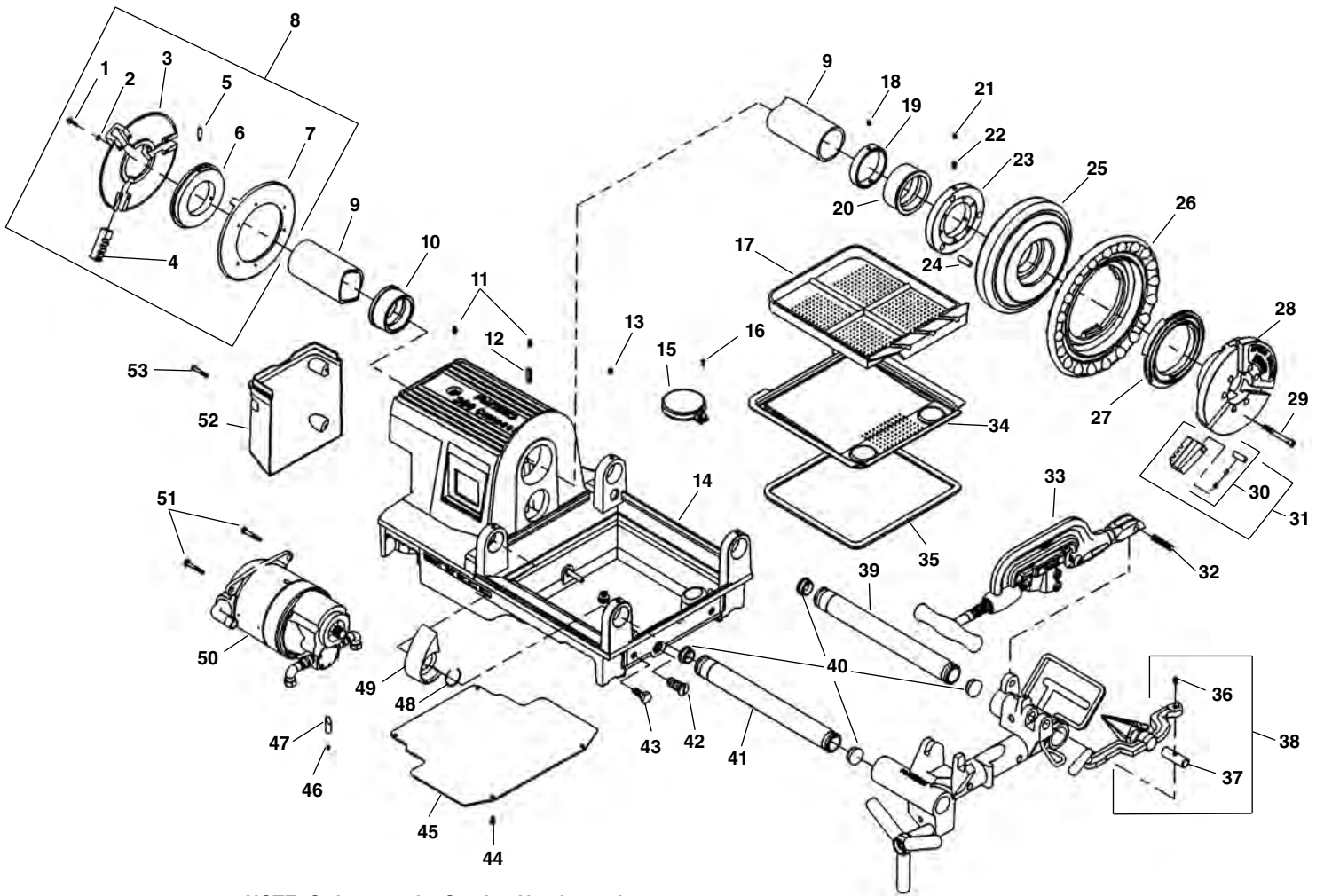


Main Drive Components



**NOTE: Order parts by Catalog Number only.
DO NOT order by Reference Number.**

Ref. No.	Catalog No.	Description	Ref. No.	Catalog No.	Description
1	46790	Screw 12 - 24 x 3/4" (6)	28	43525	Chuck Cap
2	40270	Lock Washer (6)	29	45295	Screw 5/16" x 2 3/4" (6)
3	43735	Rear Centering Head	30	44715	Jaw Insert Set (3)
	19346	Rear Centering Head (Europe)		97365	Jaw Insert Set f/Coated Pipe (3)
4	46500	Rear Jaw	31	44090	Chuck Jaw Set
5	45260	Step Pin	32	45520	Hinge Pin
6	44095	Scroll	33	42370	360 Cutter Complete
7	43740	Back Plate	34	54052	Oil Pan Liner
	19356	Back Plate (Europe)	35	75632	Oil Pan Liner Gasket
8	44165	Rear Centering Assembly	36	36262	Shoulder Screw
9	44100	Drive Shaft	37	36267	Pivot Pin
10	45335	Rear Bearing	38	34612	344 Reamer
11	46860	Grease Fitting (2)	39	54112	Rear Rail
12	45310	Pin Split Roll	40	35162	Rail Plug (4)
13	60025	Set Screw 5/16" - 18 (4)	41	54117	Front Rail
14	54522	Base Export	42	54302	Drain Plug
	76342	Base N.A.	43	54042	M10-1.5 Hex Hd. Cap Screw
15	58467	Filter Screen Assembly	44	87730	Screw 1/4" x 3/8" (4)
16	45420	Screw 10 - 24 x 3/8"	45	61937	Bottom Cover
17	54047	Chip Tray	46	77905	Set Screw 5/16" x 1/4"
18	33785	Set Screw 5/16" x 24 x 5/16" (3)	47	54037	Motor Wedge
19	45345	Thrust Ring	48	87620	Retaining Ring
20	54502	Front Bearing	49	54507	Carriage Stop
21	45300	Set Screw 5/16" x 24 x 1/4" (3)	50	54797	Model 2192, 115V
22	45265	Set Screw 5/16" x 24 x 1/2" (3)		54802	Model 2292R, 230V
23	30027	Drive Ring		74182	Model 2199R, 115V, 52 RPM
24	30022	Drive Pin (3)	51	85915	Motor Mounting Bolt (2)
25	30017	Ring Gear	52	61932	Motor Cover
26	89150	Hand Wheel	53	54532	Motor Cover Screw (4)
27	43540	Chuck Scroll			